

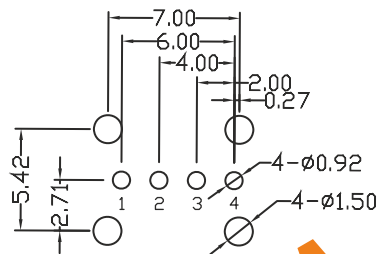
1

2

3

4

5



RECOMMENDED PCB LAYOUT  
RECOMMENDED PCB THICKNESS = 1.6 mm

#### TECHNICAL CHARACTERISTICS

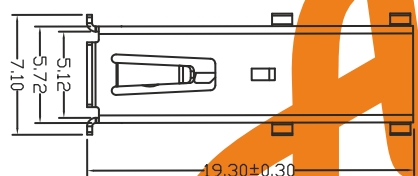
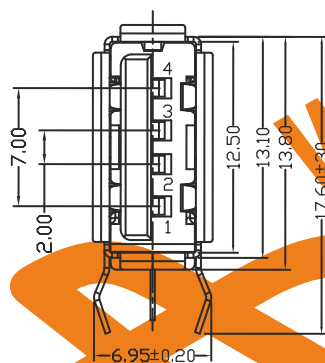
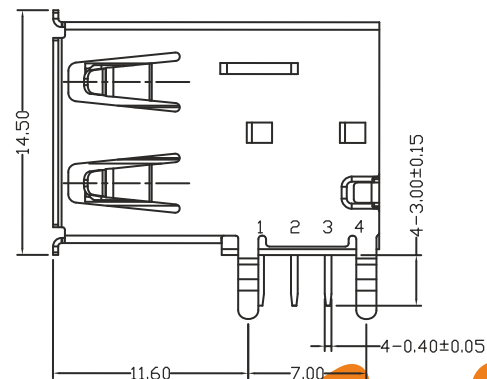
MATERIAL  
INSULATOR: PBT  
FLAMMABILITY RATING: UL94-V0  
COLOR: WHITE  
CONTACT MATERIAL: COPPER ALLOY  
CONTACT TYPE: STAMPED  
CONTACT PLATING: SELECTIVE GOLD  
SHIELDING: BRASS Ni PLATED  
QUALITY CLASS: 1500 MATING CYCLES

ENVIRONMENTAL  
OPERATING TEMPERATURE: -40°C UP TO +105°C  
COMPLIANCE: LEAD FREE AND ROHS

ELECTRICAL  
CURRENT RATING: 1.5 A MAX  
WORKING VOLTAGE: 30 VAC  
INSULATOR RESISTANCE: >1000 MΩ  
DIELECTRIC WITHSTANDING VOLTAGE: 750 VAC/MIN  
CONTACT RESISTANCE: 20 mΩ MAX

SOLDERING  
JEDEC LEAD FREE WAVE SOLDERING

PACKAGING  
TRAY



**AsA** [WWW.AsA-Elec.com](http://WWW.AsA-Elec.com)  
*Electronic*

**AsA Electronic Co.**

Tel : (+98) 21 66 73 56 82 Mob : (+98) 912 03 161 02

RoHS Compliant

PROJECTION:



GENERAL TOLERANCE

.X =  $\pm 0.2$

.XX =  $\pm 0.15$

**Telegram:09396994470**

APPROVAL: NPr

UNIT: MM

DESCRIPTION: USB 2.0 TYPE A UP RIGHT

SIZE

Q 21-AUG-15 PIN NUMBER ADDED AK

P 09-AVR-15 PCB THICKNESS QP

REV DATE FILE BY

DRAW: QL

**A4**